



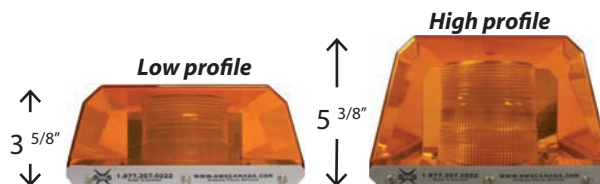
Switching Available
p. 78



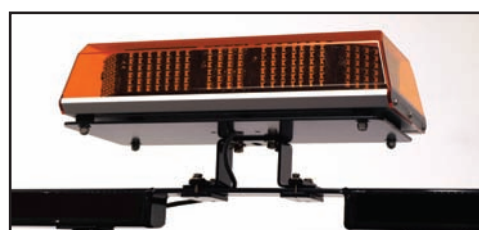
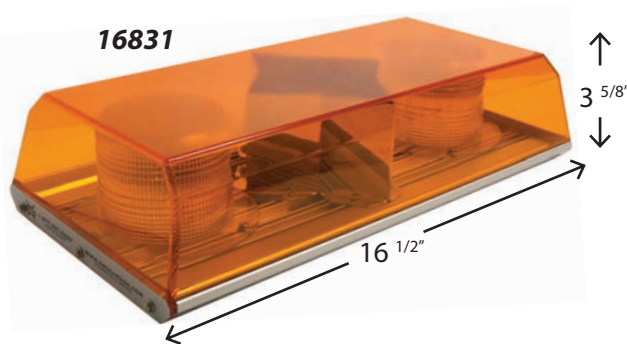
Mounting Solutions Available
p. 82

MINI LIGHT BARS - 16" STROBE

- 12-24Vdc input, 2.0 amps
- User selectable flash patterns; double, triple or quad
- Polycarbonate outer dome with extruded aluminum base
- T-Slot mounting
- Magnetic mount units supplied with 12' cigarette lighter cords, on/off switch
- Inner lens colours include amber, blue and clear
- Dome colours include amber, blue, clear, red and green



AVAILABLE IN LOW AND HIGH PROFILE CONFIGURATIONS!



Optional mounting plate #98012 with C-bracket 98014 and 2 clamp kits 98009

16000 Series

Model #	Outer Dome Colour	Inner Lens Colour	Mounting	Height	Flash Patterns	Replacement Parts	
						Dome	Lens
16831	Amber	Clear	PM	LP - 3 5/8"	DTQ	877227	877349
16832	Blue	Clear	PM	LP - 3 5/8"	DTQ	877228	877349
16836	Amber	Clear	MM	LP - 4 3/8"	Double	877227	877349
16837	Blue	Clear	MM	LP - 4 3/8"	Double	877228	877349
16814	Clear	Amber	PM	LP - 3 5/8"	DTQ	877226	877346
16815	Clear	Blue	PM	LP - 3 5/8"	DTQ	877226	877347
16842	Clear	Amber	MM	LP - 4 3/8"	Double	877226	877346
16843	Clear	Blue	MM	LP - 4 3/8"	Double	877226	877347
16031	Amber	Clear	PM	5 3/8"	DTQ	877211	333-C
16033	Blue	Clear	PM	5 3/8"	DTQ	877212	333-C
16032	Amber	Clear	MM	6 1/8"	Double	877211	333-C
16037	Blue	Clear	MM	6 1/8"	Double	877212	333-C
16021	Clear	Amber	PM	5 3/8"	DTQ	877213	333-A
16022	Clear	Blue	PM	5 3/8"	DTQ	877213	333-B
16026	Clear	Amber	MM	6 1/8"	Double	877213	333-A
16027	Clear	Blue	MM	6 1/8"	Double	877213	333-B

Legend: PM = Permanent Mount, MM = Magnetic Mount, LP = Low Profile
DTQ = User selectable flash patterns: double, triple or quad



Proudly Canadian